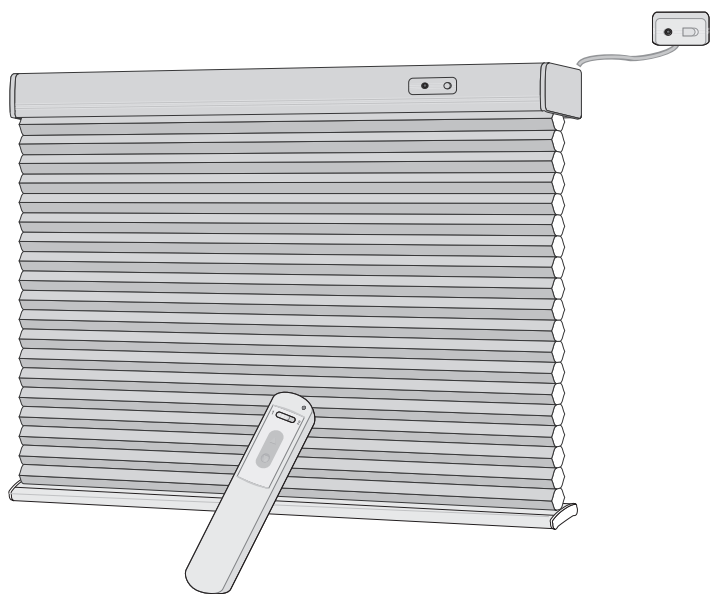


ASCENT

HONEYCOMB SHADES

Installation Instructions & Owner's Guide



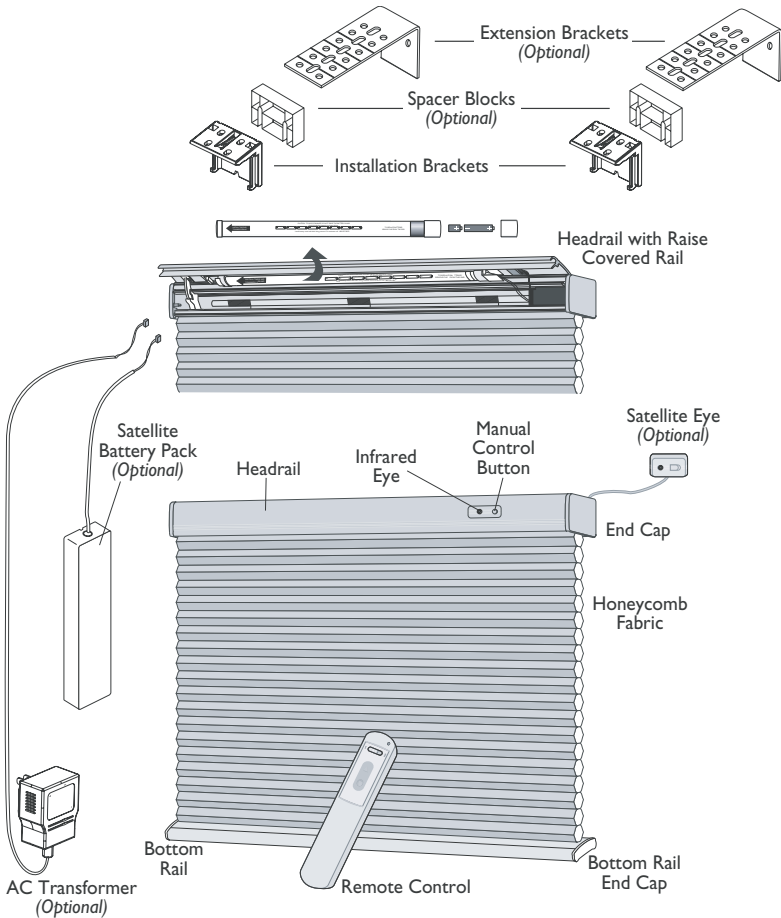
Battery Operated Shades

December 2005

Table of Contents

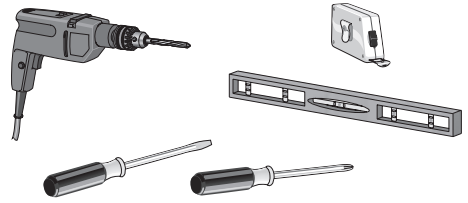
Introduction	2
Installation Instructions	2
Materials Included	2
Tools And Supplies Needed	3
Install The Battery Wand	3
Connect The Optional Components	4
Mount The Installation Brackets	5
Install The Shade	7
Install The Optional Components	7
Remove The Shade	9
Operation	10
Replacing Batteries	12
Troubleshooting	13
Care And Cleaning	15

Materials Included



Tools and Supplies Needed

- Carpenter's level
- Measuring tape
- Power drill, 1/4" hex driver, and drill bits
- Screwdrivers (flat blade and Phillips)
- Wood screws or other fasteners, such as expansion bolts, toggle bolts, or anchors (not included)



Mounting Surface

Fasteners

Wood

No. 6 Hex Head Screws
(Not Provided)



Drywall Plaster

Wall Anchors, Expansion Bolts
(Not Provided)



Metal

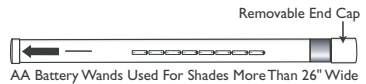
Sheets Metal Screws
(Not Provided)



Install the Battery Wand

(CAUTION: Use only alkaline batteries. Do not use rechargeable batteries.)

1. Install the batteries according to the instructions on the battery wand label.

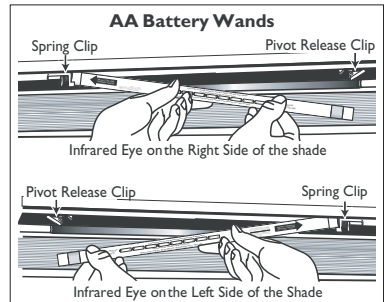


2. Install the wand into the headrail with the *label facing you*.

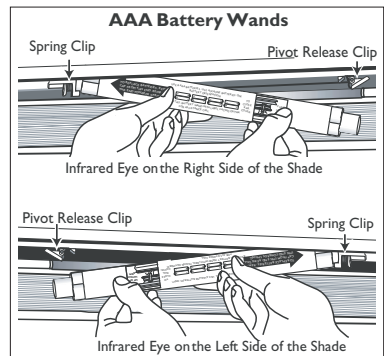


AAA Battery Wands Used For Shades Less Than 26" Wide

- For AA battery wands, place the end of the wand with the *non-removable end cap* into the spring clip. The arrow on the label of the battery wand should **point toward** the spring clip.



- For AAA battery wands, place the end of the wand with the *removable end cap* into the spring clip. The arrow on the label of the battery wand should **point toward** the spring clip.



3. Push the other end of the wand into the pivot release clip and snap closed.
4. Make sure the wand is securely seated in both the spring clip and pivot release clip.
5. Close the cover of the headrail. Allow 30 seconds for the system to power up.

Connect the Optional Components

If you ordered the satellite battery pack or AC transformer, connect it to the motor.

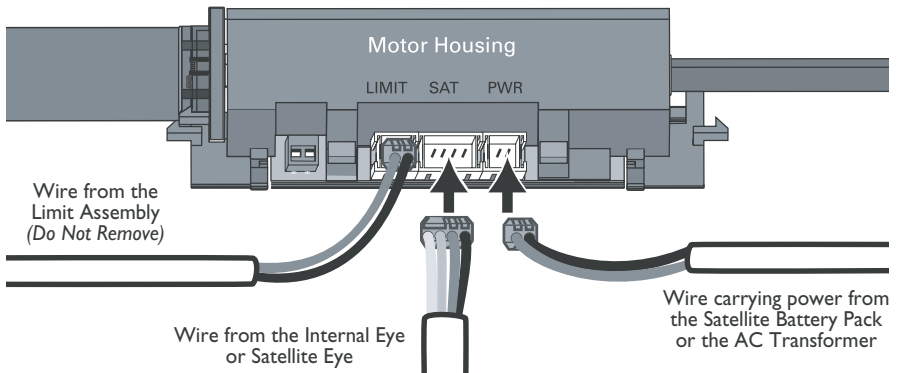
1. Flip up the cover rail to open.

Optional Satellite Battery Pack or AC Transformer

2. From the top of the headrail, connect the 2-port satellite battery pack or AC transformer connector into the PWR plug on the motor housing. Do not force the connection. Make sure the orientation of the plug is correct before attempting to make the connection.

Optional Satellite Eye

3. From the top of the headrail, connect the 4-port satellite eye to the SAT connection on the motor housing. Do not force the connection. Make sure the orientation of the plug is correct before attempting to make the connection.
4. Close the cover rail.



Tools and Supplies Needed

Mounting Requirements

- Mount the headrail level for proper shade operation.
- Use a carpenter's level to check that the mounting surface is level on an inside mount and that the tops of the installation brackets are level and aligned on an outside mount. If necessary, shim the brackets.

Number of Brackets Required

- The number of installation brackets included with each shade depends upon the ordered width.
- Use spacer blocks or extension brackets for additional clearance.

Shade Width*	Brackets Required
19" - 31"	2
31 1/8" - 79"	3
79 1/8" - 120"	4

*End mount maximum width is 65".

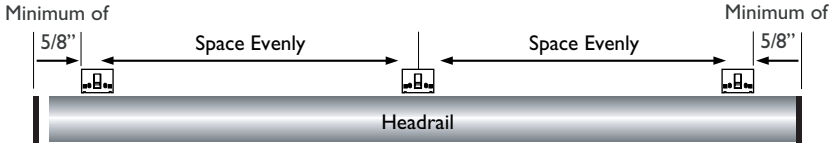
Two installation brackets and two extension brackets are always necessary for end mounting.

Mounting the Installation Brackets

Bracket Spacing

Bracket spacing is the same for inside, outside, or ceiling mounted shades. End mounting is explained on page 6.

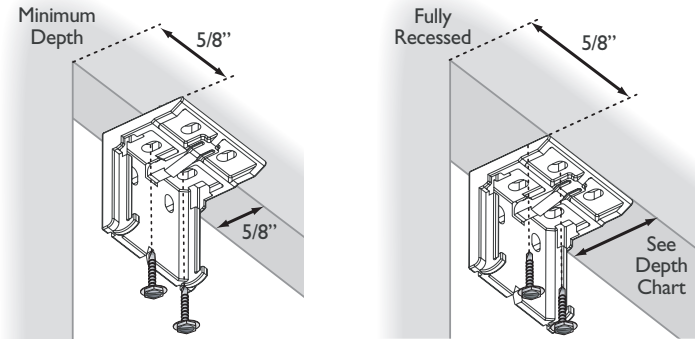
1. Space the two end brackets so that their outside edges are at least 5/8" in from the ends of the headrail.



2. Space additional brackets, if used, evenly between the two end brackets.
3. Adjust the bracket positions to accommodate any obstructions to the bottomrail, such as window cranks or handles.
4. Measure and mark all bracket locations.

Inside Mount Applications

The minimum mounting depth is 5/8".



Bracket Placement

The depth required to fully recess a shade depends on the pleat size.

Depth Chart: Inside Mount Bracket Placement

Pleat Size	Minimum	Fully Recessed
3/8"	5/8"	2"
3/4"	5/8"	2 1/2"
Honeycomb Double Cell	5/8"	2 1/2"

Note: For optimal operation of the infrared eye, the shade should not be recessed past the front of the window opening.

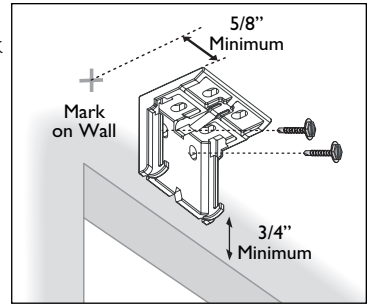
1. Place both end brackets so that their outside edges abut the marks on the mounting surface.
2. Check that each bracket is level and aligned.
3. Attach using two screws.

Outside Mount Applications

The minimum mounting depth is 3/4".

Bracket Placement

1. Center the shade over the window opening and mark the ends of the headrail.
2. Measure a minimum of 5/8" in from the marks on the wall and mark the bracket locations.
3. Align both end brackets so that their outside edges abut the bracket marks on the mounting surface.
4. Adjust the bracket position to accommodate any obstructions to the bottom rail, such as window cranks or handles.
5. Check that each bracket is level and aligned.
6. Attach using two screws.

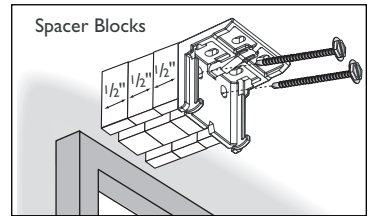


Spacer Blocks (Optional)

Each spacer block projects brackets 1/2" away from the mounting surface.

Note: Longer screws (not provided) are required to secure the spacer blocks and the installation brackets to the mounting surface.

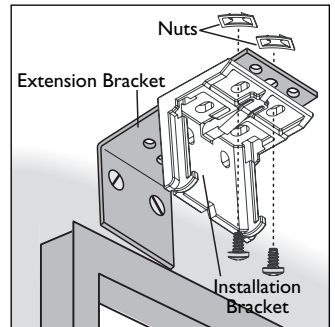
1. Mount spacer blocks with the solid side facing the mounting surface. Use a maximum of three spacer blocks per bracket.
2. Secure with two screws.



Extension Brackets (Optional)

Extension brackets project the installation brackets up to 3" away from the mounting surface.

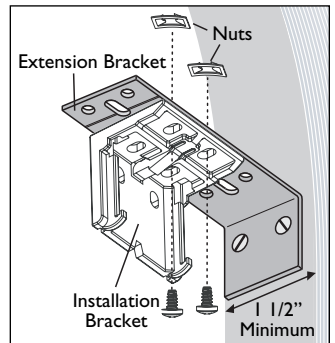
1. Mount the extension brackets on a surface at least 3/4" high.
2. Check that each bracket is level and aligned.
3. Attach using two screws.
4. Attach the installation brackets to the extension brackets using the machine screws and nuts provided.



End Mount Applications

End mount the headrail when conventional mounting techniques will not work, for example, in an arched window opening. The maximum width of an end-mounted shade is 65".

1. Mount the extension brackets on a surface at least 1 1/2" wide.
2. Attach the installation brackets to the extension brackets using the machine screws and nuts provided.

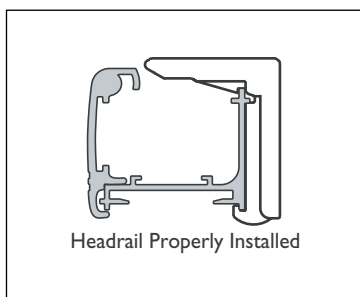
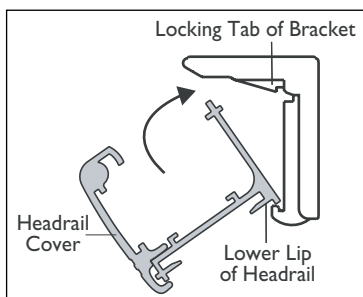


Install the Shade

(CAUTION: be sure the wires coming from the satellite eye, satellite battery pack, or AC transformer do not become pinched by the brackets or headrail during installation.)

Note: If using a satellite eye, remove the rubber bands holding the satellite eye to the headrail. If the satellite eye is not connected to the shade, plug the 4-wire satellite eye connector into the 4-wire slot marked "SAT" on the motor housing.

1. Tip the headrail forward and fit the back bottom edge into the lower lip of each bracket.
2. Rotate the headrail up until it snaps into the locking tab on the back of each bracket.



Install the Optional Components

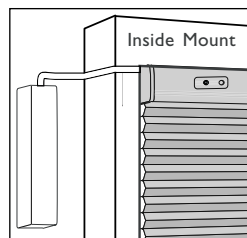
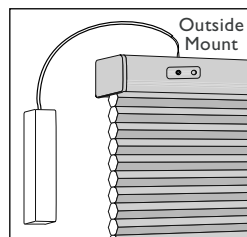
Once the optional components (satellite battery pack, satellite eye, and AC transformer) are connected and the shade installed, install the components.

Satellite Battery Pack

Determine where to mount the satellite battery pack.

1. Mount the satellite battery pack in a location where it will not interfere with the shade's operation.
2. On Outside Mounts - route the wire so it exits from the top of the shade.

On Inside Mounts - route the wire so it runs along the control side end cap to the front of the shade



Mount the satellite battery pack

1. Remove the cover of the battery pack by pressing on the circular latch and lifting the cover off.
2. Use the holes in the rear of the pack as a template to mark the screw locations on the mounting surface.
3. Attach using two screws

Load batteries into the satellite battery pack

1. Install eight AA alkaline batteries, according to the instructions on the battery pack.
2. Replace the cover, snapping it securely closed.

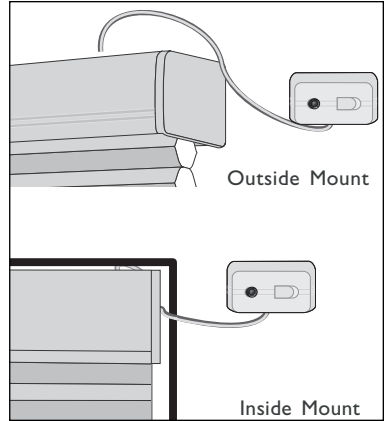


Satellite Eye

(CAUTION: Handle the satellite eye carefully to avoid damaging the infrared eye.
Do NOT touch or push on the infrared eye.

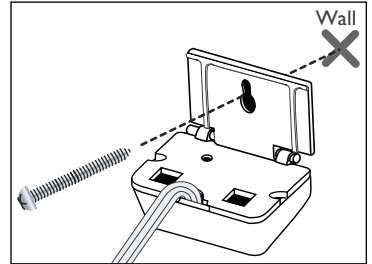
Determine where to mount the satellite eye

1. Choose a location for the satellite eye where the signal from the remote is not obstructed. Do not mount the satellite eye in direct sunlight or bright, focused light from halogen or fluorescent light fixtures, track lighting, spotlights, or neon lights.
2. Check that the wire is not caught or pinched in the brackets or headrail.
3. With inside mounts, route the wire behind the headrail and along the side of the end cap to the front of the shade.



Mount the satellite eye

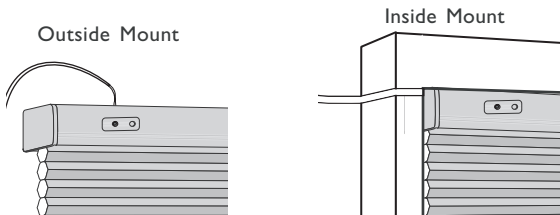
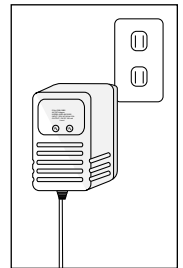
1. Flip the satellite eye down and place the hinged flange against the wall. Attach the flange to the wall with a single screw.
2. Swivel the satellite eye upward to the correct angle for receiving the signal from the remote control.



AC Transformer

The AC transformer plugs into a standard 110V outlet.

1. Route the wire to a location where it will not interfere with the shade.
2. On outside mounts, the wire exits from the top of the shade. On inside mounts, the wire runs along the control side end cap to the front of the shade.
3. After the AC transformer has been attached to the 2-pin power connector on the headrail and the headrail has been installed, plug the AC transformer into a 110V outlet.



Install the Remote Control

1. Remove the back center panel of the remote control by pushing down on the latch and pulling it out. Remove both AAA batteries inside.
2. Replace the batteries with two new AAA alkaline batteries as shown inside the remote control.
3. Replace the back cover panel.

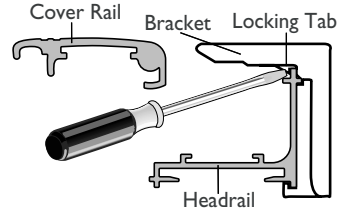
See the Operating Instructions in the next section for the procedures for resetting and operating the shade.



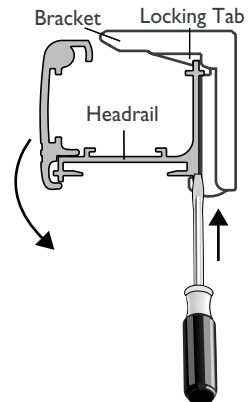
Remove the Shade

There are two ways to remove the headrail from the mounting bracket.

- Access the locking tab through the front of the headrail.
 1. Lift the cover rail.
 2. Push in on the locking tab and rotate the headrail out of the bracket.
- Access the locking tab from behind the headrail.
 1. Insert a long, flat blade screwdriver between the back of the installation bracket and the headrail.
 2. Push up on the locking tab and rotate the headrail out of the bracket.



To release, lift the Cover Rail and push in on the Locking Tab



Operation

First Use

Ascent Honeycomb Shades must be reset before the first use (see below). See the next section for resetting and testing the shade operation.

Channel Selection

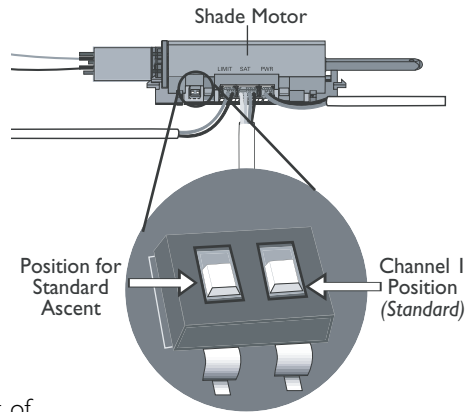
Ascent Honeycomb shades operate on specially designated channels, Channel 1 or Channel 2. *To operate the shade, the remote control must be set on the same channel as the shade.*

Shades are set to Channel 1 unless specified for Channel 2 at the time of ordering. When specified, for example with adjacent or stacked shades, shades are set to Channel 2. A decal attached to the motor housing, visible under the cover rail, indicates Channel 2 operation.

CHANNEL 2 OPERATION

To switch a shade's operating channel:

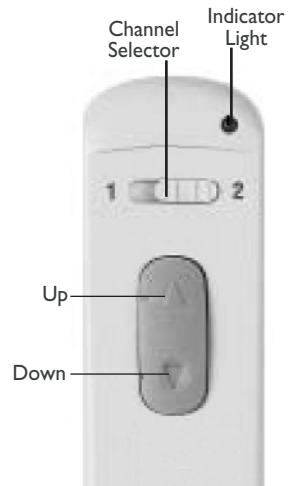
1. Remove the shade from the mounting brackets and open the cover rail.
 - The channel selector is located on the motor board next to the limit assembly plug.
 - The right switch controls the channel operation and the left switch controls the shade operation.
2. Using a small, flat blade screwdriver flip the right channel selector switch toward the front of the shade for Channel 1 operation or toward the back of the shade for Channel 2 operation.



CAUTION: Leave the left side switch in the front position.

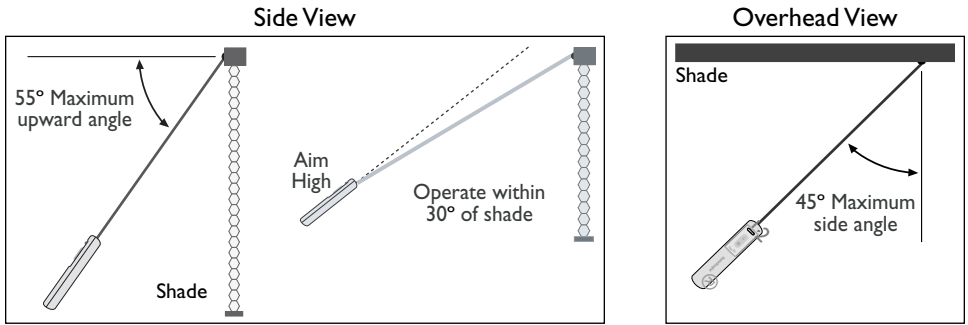
Reset the Shade

1. Select the shade's operating channel on the remote control.
2. Press and release the DOWN ▼ button to lower the shade completely.
3. With the shade completely lowered, press and hold the DOWN ▼ button for 5 seconds. This will clear the memory and the shade can be operated normally.



Lower and Raise the Shade

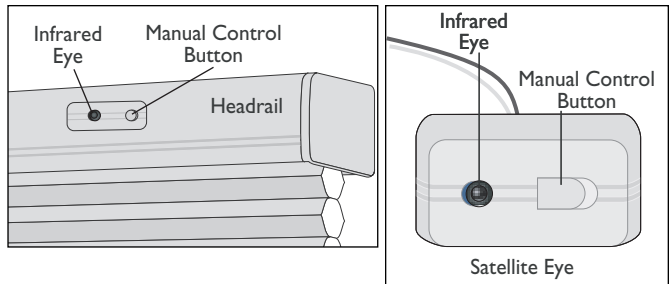
1. Select the shade's operating channel on the remote control.
2. Aim the remote control at the infrared eye on the headrail or on the satellite eye (optional) and press the DOWN ▼ button to lower the shade. Press the UP ▲ button to raise the shade.
 - To stop the shade before it is fully lowered, press the DOWN ▼ button a second time.
 - To stop the shade before it is fully raised, press the UP ▲ button a second time.



Use the Manual Control Button

The manual control button is located next to the infrared eye on the headrail or the satellite eye.

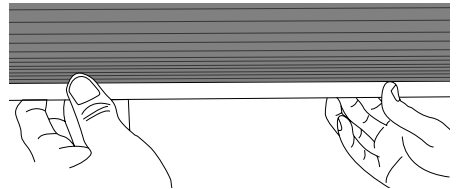
- Press the button to alternately lower, stop, and raise the shade.



Set and Clear the Memory Stop

The Memory Stop feature sets the shade so that it can be raised to the same height every time.

1. With the shade fully lowered, press the UP ▲ button to raise the shade.
2. When the shade reaches the desired height, stop its motion by firmly grasping the bottom rail with both hands, keeping the rail level.
 - The motor will hesitate and then shut off.
 - The Memory Stop will be set, and the shade will automatically stop at that point each time it is raised. Until the Memory Stop is cleared, the shade cannot be raised any higher.
3. To clear the Memory Stop, lower the shade completely, then press and hold the DOWN ▼ button for 5 seconds.



Replacing the Batteries

(CAUTION: Use only alkaline batteries. Do not use rechargeable batteries.)

Replace the batteries in the wand

1. Install the batteries according to the instructions on the battery wand label.

2. Install the wand into the headrail with the *label facing you*.

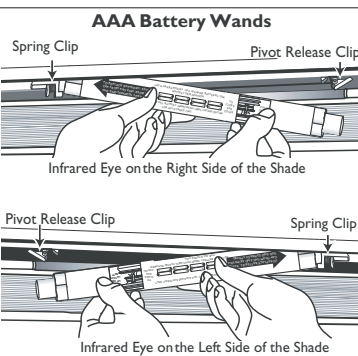
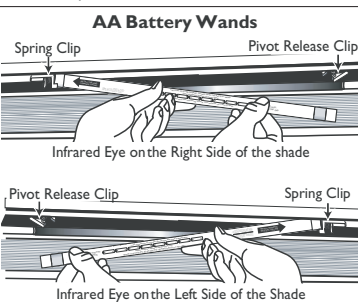
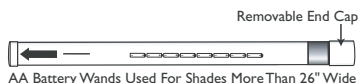
- For AA battery wands, place the end of the wand with the *non-removable end cap* into the spring clip. The arrow on the label of the battery wand should **point toward** the spring clip.

- For AAA battery wands, place the end of the wand with the *removable end cap* into the spring clip. The arrow on the label of the battery wand should **point toward** the spring clip.

3. Push the other end of the wand into the pivot release clip and snap closed.

4. Make sure the wand is securely seated in both the spring clip and pivot release clip.

5. Close the cover of the headrail. Allow 30 seconds for the system to power up.



Replace the Batteries in the Satellite Battery Pack

Load batteries into the satellite battery pack

1. Install eight AA alkaline batteries, according to the instructions on the battery pack.

2. Replace the cover, snapping it securely closed.



Replace the Remote Control Batteries

1. Remove the back center panel of the remote control by pushing down on the latch and pulling it out. Remove both AAA batteries inside.

2. Replace the batteries with two new AAA alkaline batteries as shown inside the remote control.

3. Replace the back cover panel.



Troubleshooting

Problem

The shade does not operate using either the remote control or the manual control button.

Solution

- Check that the battery wand is oriented correctly in the headrail.
- Check that the battery wand is completely inserted in the clips and fits snugly in the headrail.
- Check that the batteries in the wand are installed correctly and fresh. See *Replace The Batteries In The Battery Wand*, page 12.
- Check that the AC transformer, if used, is securely plugged into the wall outlet and that the outlet has power. To check that the outlet has power, plug in a lamp or device that is known to work.
- Check that the AC transformer, if used, is securely connected to the motor. See *Install The AC Transformer*, page 8.

The shade operates using the manual control button, but does not operate using the remote control.

- Check that the correct channel is selected on the remote. See *Channel Selection*, page 10.
- If the red light on the remote control does not light up when the UP ▲ / DOWN ▼ buttons are pressed, replace the batteries in the remote control. See *Replace The Remote Control Batteries*, page 12.
- Check that you are pointing the remote control directly at the infrared eye. See *Lower And Raise The Shade*, page 11. Try moving closer to the eye. Maximum operating distance from the remote control is 30 feet.
- Check that there are no obstructions impeding the signal from the remote control to the infrared eye.
- Check that there is no direct sunlight or bright, focused light from halogen or fluorescent light fixtures, track lighting, spotlights, or neon lights that could be interfering with the signal.

Troubleshooting

Problem

The shade does not lower completely.

The shade does not raise completely.

The shade does not hang correctly.

Adjacent shades do not stack evenly.

The shade operation is slowing.

Solution

- Check for obstructions in the shade's path.

- The Memory Stop may be activated. See *Set And Clear The Memory Stop*, page 11.

- Check the batteries and replace if necessary.

- Check that the mounting brackets are level.

- If one shade is stacking tighter than another, it has probably been reset. Simply lower and raise the shade to loosen the stack. The shade stack on both shades should be within 5/16" of each other.

- For more exact stacking, use the Memory Stop feature. See *Set And Clear The Memory Stop*, page 11.

- Remove the battery wand and replace the batteries. See *Replace The Batteries In The Battery Wand*, page 12.

Care and Cleaning

Ascent Honeycomb shades are as durable as they are beautiful. With proper installation and care, they will provide many years of beauty and performance. The honeycomb fabric is anti-static and dust-resistant. Light dusting is all that is generally needed to keep your shade looking like new.

CAUTION: Never submerge the headrail in any solution.

Routine Cleaning

- Use a feather duster for regular, light dusting.
- For more thorough dust removal, light vacuuming using a brush attachment or hand-held vacuum with low suction is recommended.
- The headrail and remote control may be wiped clean with a damp sponge and mild detergent.

Spot-Cleaning

To reduce the potential for permanent staining, spots should be cleaned as soon as possible.

- Use a soft cloth or sponge moistened with lukewarm water.
- Add mild detergent if necessary.
- Gently blot the spot. Avoid rubbing the fabric since any abrasive action may cause it to distort.
- Let the shade dry in the completely lowered position.

Deep Cleaning

- Water immersion cleaning methods are not recommended for Ascent Honeycomb shades. Do not dry clean or use injection/extraction or ultrasonic cleaning methods with your shades.

Ascent Honeycomb Shades Installation & Guide
