

The perfect installation – fast and easy!

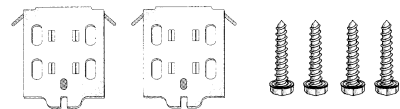
Introduction

We're pleased you have chosen **PRESTIGE Roman Shades** for your home. They have been carefully constructed from the finest fabrics and components to fit your windows, and have been thoroughly inspected to assure high-quality appearance and operation.

These easy-to-follow instructions cover both **Inside Mounting** (within the window casement) and **Outside Mounting** (to the wall above the window casement), using convenient snap-in installation brackets. Please follow those sections that apply to you.

Parts included in your package

- Assembled shade (Note: keep closed until finished)
- Snap-In mounting brackets
- Four mounting screws



Tools you will need

- pencil
- phillips head screwdriver (flat head for shade removal)
- level
- drill with 1/16" bit

Special fasteners you may need

(if not attaching to wood studs)

- **Hollow walls:** (drywall, paneling): molly bolts or toggle bolts
- **Masonry or tile:** self-drilling anchors, plugs or screws*
- **Metal:** use screws provided; pre-drill holes*

*Not included

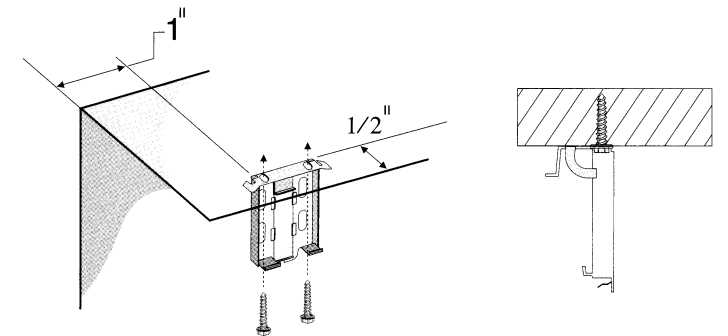


1

Attach mounting brackets

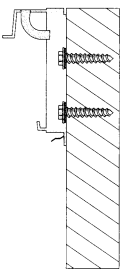
1a: Inside Mount

Using screws (or other fasteners) attach brackets vertically, 1 inch away from sides of upper window frame and recessed 1/2 inch from the front edge. If upper window still is not level, use washers (not included) as needed to ensure equal height of brackets.



1b: Outside Mount

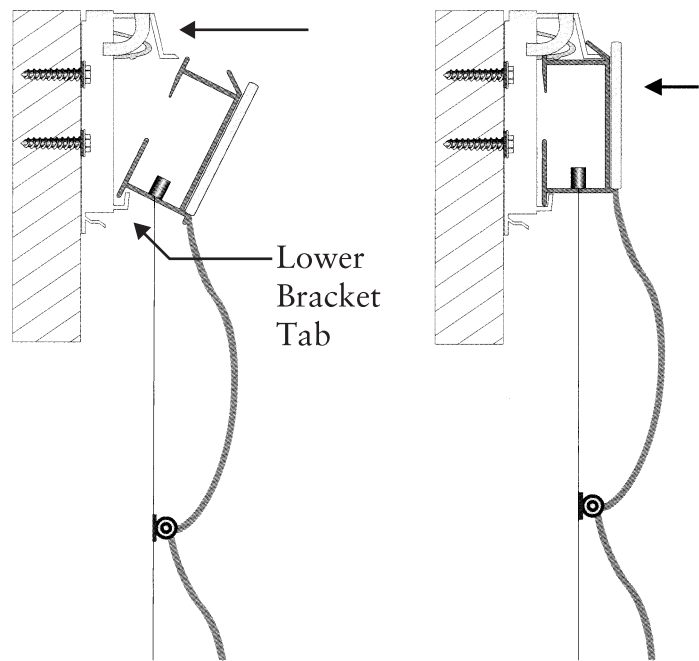
Holding the shade level and centered above the window at the desired height, mark the ends of the headrail on the wall. Attach the brackets to the wall 1 inch within the headrail marks, driving the screws (or other fasteners) into diagonally opposite holes.



2

Attach shade to bracket

Tilt the headrail so that the bottom lip on the back catches the lower bracket tabs. Roll the headrail upwards and in until the top clicks securely into place



Remove shade from brackets

Use a flat head screwdriver and push up and in on each bracket lower tab. The tab will move up 1/8" (approximately) and snap in this position. The shade can now be removed from the brackets.

3

Cord Release Stop Ball →

Pull Tassel →



Operation of shade

The patented cord lock and fabric panel lift system are ready to provide years of smooth, flawless operation. To raise the shade, simply pull straight down on the bottom pull tassel and release, locking the shade securely at the desired height. To lower, gently pull the cord release stop ball while holding the cord, allowing the shade to descend to the desired height, releasing a cascade of luxurious, contoured fabric folds.

Safety: To avoid possible strangulation, keep cords out of the reach of children.

ROMAN SHADES

Flat and Hobbled

Installation Instructions

To ensure a smooth, successful installation of your Roman Shades, please read these instructions completely before you begin. Proper installation ensures that you'll enjoy the unique beauty and functionality of your shades right from the start... and for years to come!

PRESTIGE
WINDOW
FASHIONS