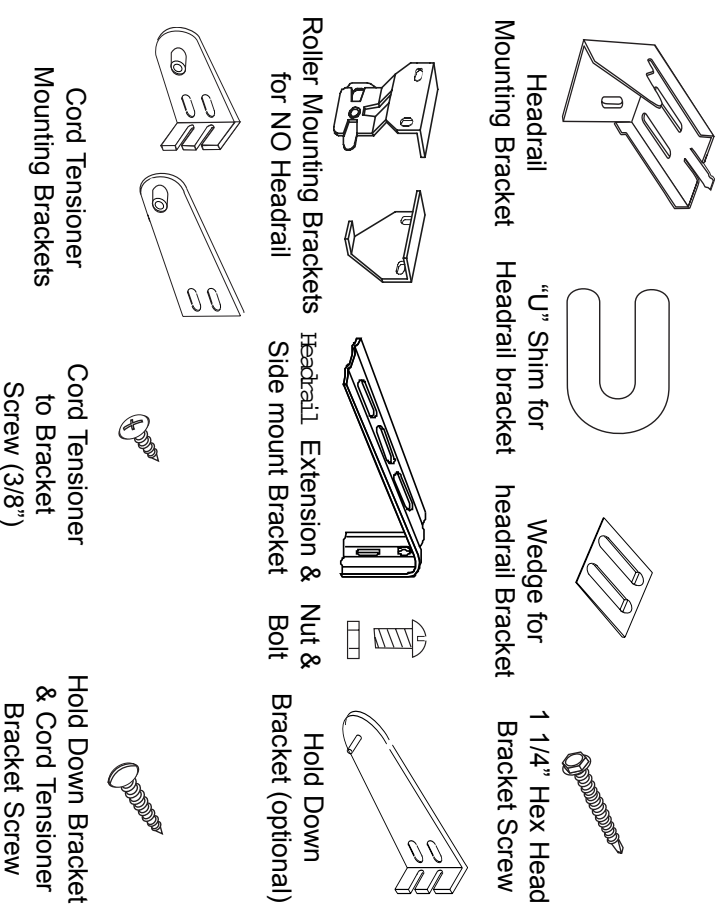


BASICS

A few simple tools are required:

- Measuring tape
- Carpenters Level
- Power drill or Phillips head Screwdriver
- 1/4" Hex head and/or Phillips driver bit

Additional fasteners other than those sent with your shading may be required depending on the mounting surface. Wallboard and plaster require the use of anchors such as expansion or toggle bolts. Brick, tile or stone need special plugs and drill bits. Remember to always pre-drill holes in wood to avoid splitting.



Step 1. BRACKET INSTALLATION

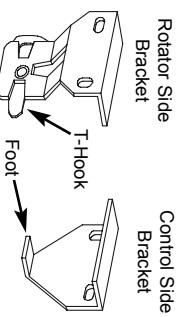
MAKE SURE MOUNTING SURFACE IS LEVEL

If the headrail or roller does not sit level, the fabric will not roll up evenly which could damage the edges of the shading fabric. Mount roller brackets as necessary, or use shims for headrail shades if necessary to level brackets.

For shades with headrail, the End brackets should be located with centerlines 2" in from each end. Depending on the width of the shading, necessary additional brackets may be evenly spaced between the two end brackets.

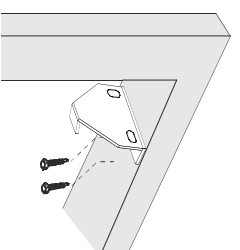
Shade width	# Brackets
Up to 40"	2
>40" - 72"	3
>72" - 84"	4
>84" - 114"	5

For shades with NO headrail, the installation brackets are always mounted so that the inner surfaces face each other. It is very important that the brackets are mounted so that the shade is level when installed.



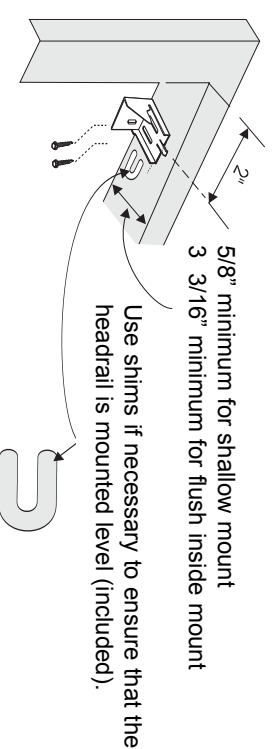
Inside Mount - no Headrail

The roller brackets can be mounted up, against the window frame, or back, against the window casing as pictured for an outside mount.



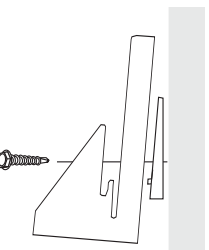
Inside Mount with Headrail

5/8" minimum for shallow mount
3 3/16" minimum for flush inside mount



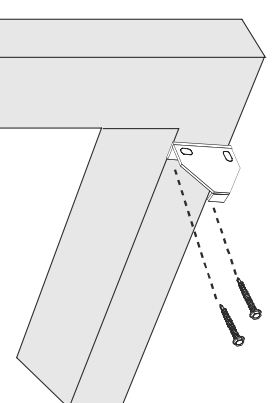
Fully Recessed Inside Mount with Headrail

Low light gap wedges can be used to reduce the top light gap when the shade is mounted fully recessed. The wedge is placed between the mounting surface and the bracket with the tabs on the wedge facing down and the thick end of the wedge toward the back of the bracket.



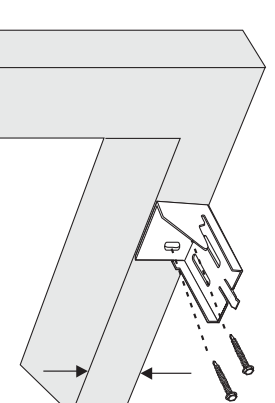
Outside Mount - with NO Headrail

The roller brackets can be mounted back, against the window casing, or up, against the ceiling as pictured for inside mount.



Outside Mount - with Headrail

3/4" minimum surface



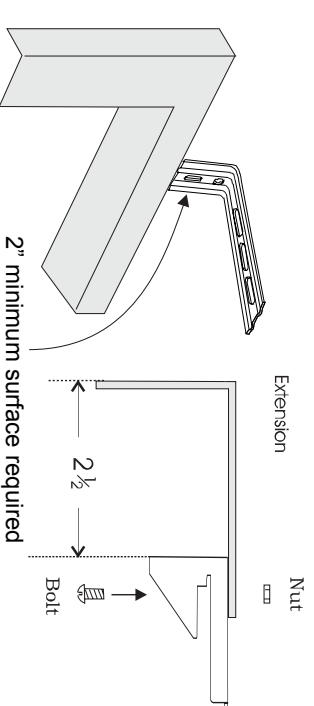
Extension and Sidemount - NO Headrail

The standard roller brackets can be mounted to the side of any opening utilizing the holes in the side of the bracket.

The optional Extension roller brackets mount in the same manner as above, but allow an extra 1/2" of projection for the roller.

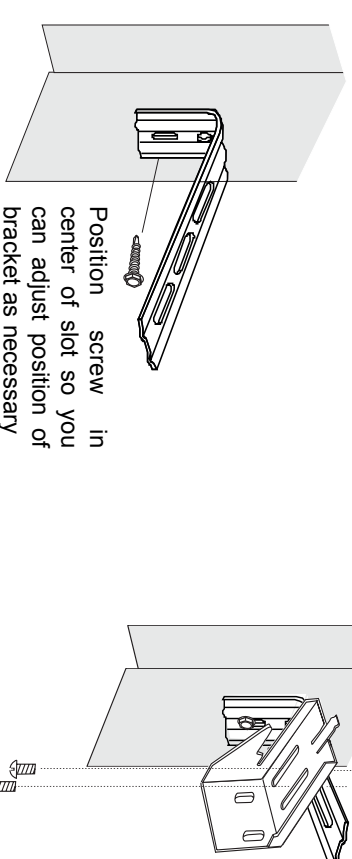
Extension Brackets (optional for Headrail shades)

Optional Extension Brackets are used to project the back of the shading up to 2 1/2" from the mounting surface. Attach the Standard Mounting Bracket to the Extension Bracket with the nut and bolt provided.



Side Mount (optional for Headrail shades)

Measure from window sill up to desired mounting position on each side of the window frame. Mark position. Mount Side Mount Brackets on each side of window frame as shown. Make sure to confirm that headrail will sit perfectly level. Once Side Mount Brackets are installed and properly positioned, attach the Standard Mounting Brackets using the nuts and bolts provided.

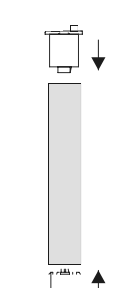


Step 2. HANGING THE SHADE

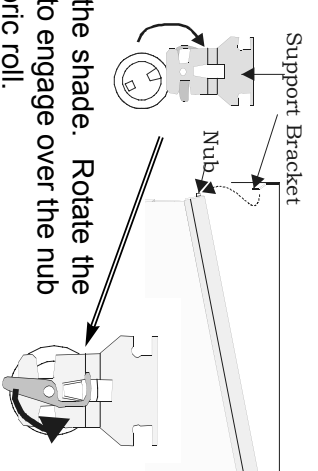
Shades with NO Headrail

Once the brackets are secured and level, the fabric roll can be inserted. Make sure your hands are clean to avoid soiling the fabric.

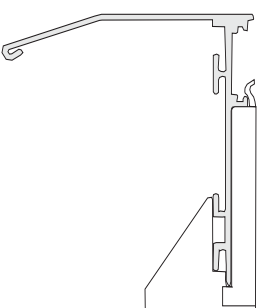
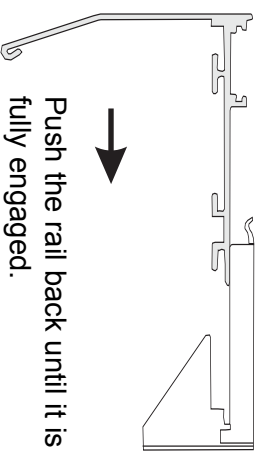
While facing the inside of the shade, be sure the clutch and roller end plug are inserted into the roller. Hold the shade with the bottom of the clutch facing the floor, and the beaded cord hanging straight down.



Insert the foot of the control-side bracket into the slotted center hole of the clutch. Set nub of the end plug into the V of the support bracket. The nub should the enter support bracket from the front side of the shade. Rotate the T-hook on the support bracket to engage over the nub on the idler and secure the fabric roll.

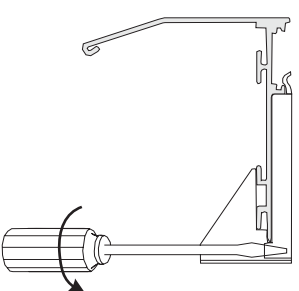


Shades WITH Headrail



Un-Install Headrail

To remove the shading, partially lower the shading and insert a flat head screwdriver as shown (fig. 10). Twist the screwdriver until the headrail disengages from the bracket.



Step 3. CHILD SAFETY

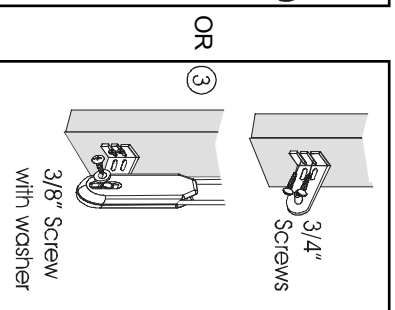
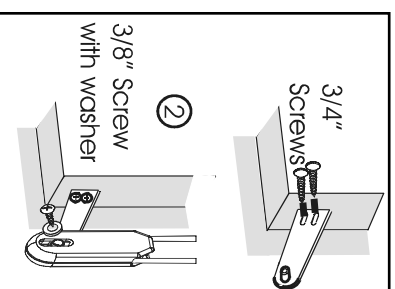
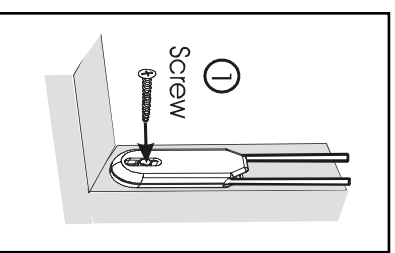
The American National Standard for Safety of Corded Window Covering Products (ANSI) requires the use of a cord tie down (cord tensioner) on all continuous loop cord systems. The use of such a device is intended to significantly reduce the occurrence of infant or small child strangulation injuries or deaths resulting from the looped pull cords on various window treatment products.

The Cord Tensioner is installed on the Lift Cord before packaging. The Tensioning device should be mounted in the proper position to pull the cord taut in order to reduce the possibility of injury.

Cord Tensioner Installation

Lower the shading. Choose one of the three installation methods shown to position the tension device on the window frame or the wall so that the tension device and the control cord do not interfere with shade operation.

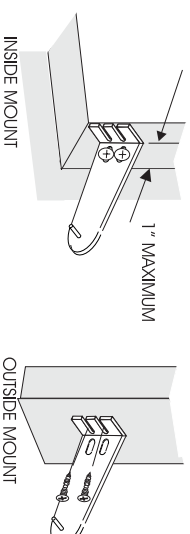
The control cord must be taut but still operable. Do not allow for any slack. Do not twist or cross the control cord.



The tensioner for non-beaded cord is pictured. The beaded cord tensioner has an identical application.

Step 4. HOLD DOWN INSTALLATION (optional)

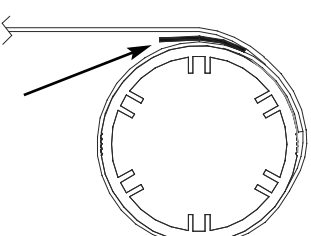
Use the pin on the hold down bracket to punch out the front hole on the bottom rail end cap. Mount the hold down to the side or back of the window frame so that the pin lines up with the front hole in the bottom rail end cap with the shade fully lowered and fully open. Lower the shading and flex the hold down bracket outward so that the pin can be inserted into the hole in the end cap.



Step 5. Skew adjustment (if necessary)

If the shade does not raise evenly, first make sure the mounting brackets are mounted level with each other.

If the shade is level, pull the shade all of the way down. Prepare a strip of masking tape approximately 5" long. On the side of the shade opposite of the skewing direction, and as close to the end of the roller as possible, lift the fabric toward the back of the shade using your fingers and slide the tape with the sticky side facing the roller up as far as possible. The tape is to be running parallel to the roller.



Roll the shade up and check for skewing. If the shade is still skewing, add another strip of tape on top of the first one. If the shade is now skewing to the opposite direction, tear off about 1" of tape from the last strip installed. The tape is to be torn from the end closest to the center of the shade.

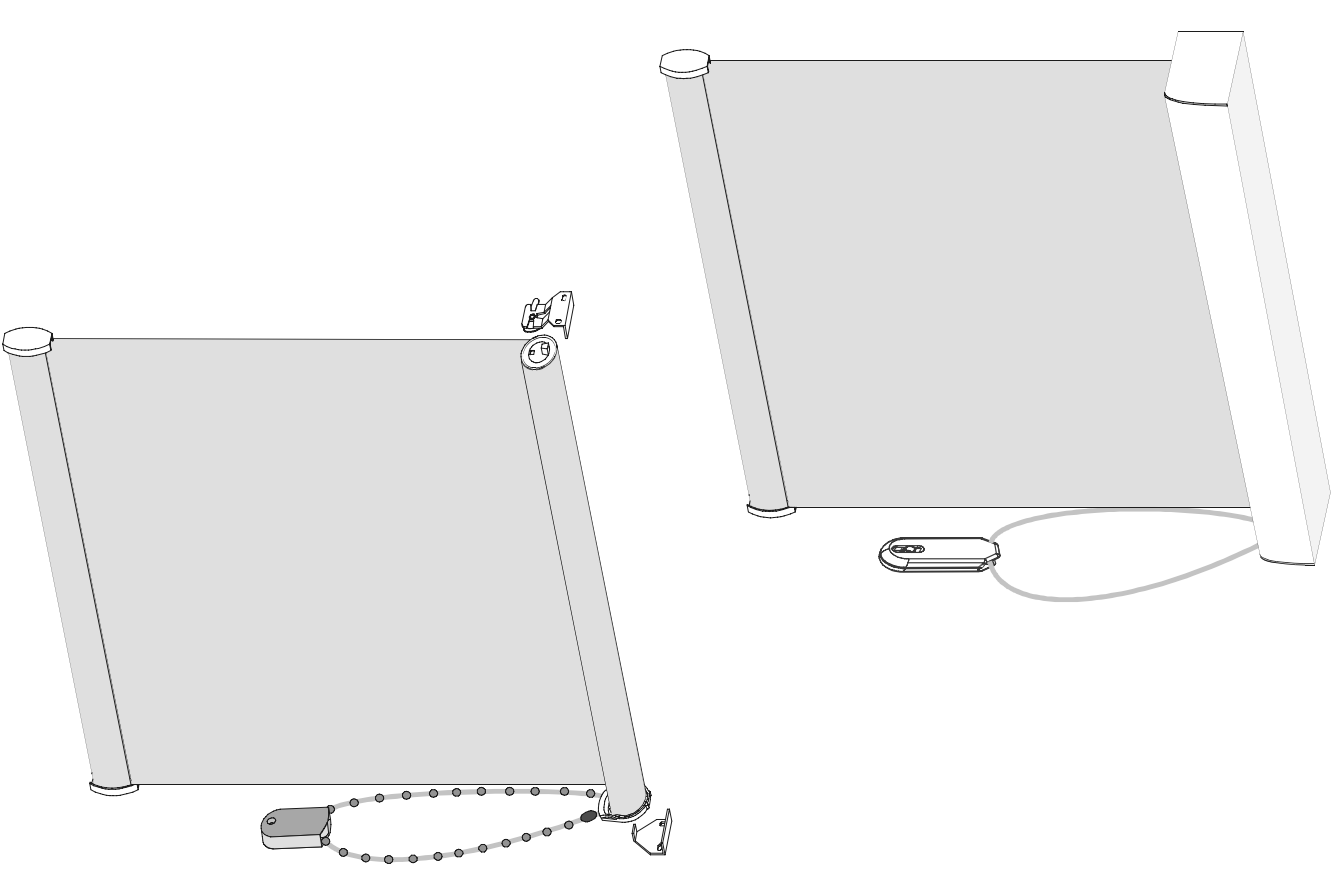
CLEANING AND CARE

Occasional light vacuuming with a soft bristle attachment or gentle feather dusting is all that is required to keep Serenade Roller Shades looking fresh and neat. Most Serenade Shades may also be ultrasonically cleaned, except those made with Phifer SheerWeave fabrics.

Phifer SheerWeave fabrics are easy to maintain and only require occasional vacuuming with a soft brush attachment or washing with mild soap. Soak a sponge or damp cloth with the soapy solution and gently wipe or blot the stain from the fabric. To dry, allow the shade to air dry completely before raising.

If the shading has any wrinkling, lower the shade and leave in the lowered position for 5 to 7 days. The heat from the sun will smooth out any light wrinkles.

Installation Instructions



Roller Shades